

# ZAPHIRO

200x100xH59

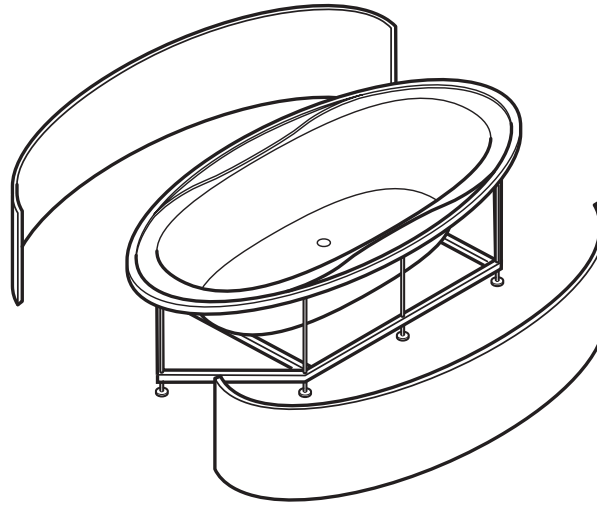
## Technical data sheet



The bath must be installed by a qualified electrician and plumber.

Before connecting the bath, the installer must see that the electrical system is protected by a circuit breaker (0.03) and that the earthing system complies with the laws in force in the country of installation.

The whirlpool bath must be connected to the electrical system permanently (with an H05 cable - 3x2.5 mm three-pole with a 2.5 mm<sup>2</sup> cross section) by means of a double-pole switch (minimum 3 mm opening between contacts) and suitably rated (KW) for the appliance to be connected, located away from areas 0,1,2,3 and from areas where jets of water are possible.



The tank must always be installed with the controls to the outside for technical accessibility  
The size of the tank varies with the panel measurements.

SYSTEMS	Electrical specifications				Jets		Water cont.		Size			Packing dimensions			Weight	
	Volt	A	kW	Hz	Whirl	Air	utilizzo	max	lunghezza	larghezza	altezza	lunghezza	larghezza	altezza	netto	lordo
Whirl. manuale	230	4,5	0,95	50	6	-	180	235	200	100	58	210	810	80	63	86
Whirl. digitale	230	4,5	0,95	50	6	-	180	235	200	100	58	210	810	80	63	86
Airpool	230	3	0,7	50	-	16	180	235	200	100	58	210	810	80	55	82
Whirl. airpool	230	7,5	1,7	50	6	12	180	235	200	100	58	210	108	80	70	97
Profes. whirl. air.	230	7,5/10,6*	1,7/2,45*	50	6	20	180	235	200	100	58	210	108	80	76	103
Guscio con telaio	-	-	-	-	-	-	180	235	200	100	58	210	108	80	48	75

\* with Heater active

The data are to be considered without panels and accessories

For use with thermostatic taps do attacks by 3/4 and ensure a quantity of water equal to XX lit / min.

The bath must also be connected to the building's equipotential earthing system by means of a terminal on the frame.

If the bath is to be recessed in walls, the guarantee will only be valid if the walls are fitted with inspection and aeration grids of a suitable size.

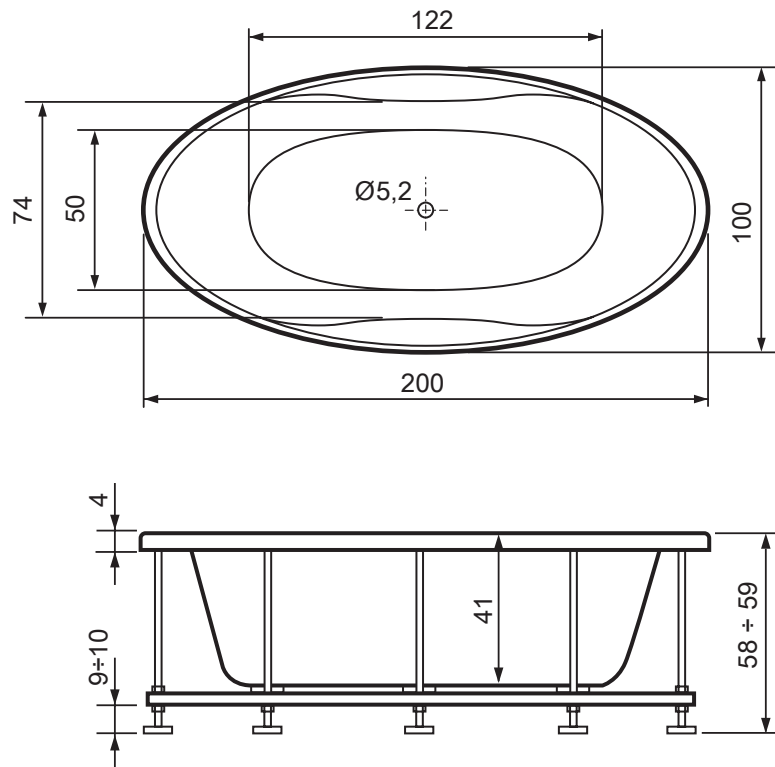
It is also important that the bath can be taken out at any time without having to do anything to the walls.

**WARNING:** if all or even part of the above described conditions are not complied with the safety of the whirlpool bath cannot be guaranteed and, as such, not only is the guarantee invalidated but also the manufacturer can in no way be held liable for any direct or indirect damages caused by the bath.

In those cases where such conditions are not complied with, the guarantee will only cover the substitution of parts deemed defective and not the labour needed if the bath has to be removed.

Provide shut-off cocks out of the dimensions of the product for hot and cold water closing.



The overall dimensions are given in centimetres.  
Actual dimensions can vary by ± 1 cm.



If the tub is installed flush, the wall can not fall from the outer edge more than 1 cm.  
Provide for the inspection panel and snorkel.  
In tubs Whirlpool and Whirlpool airpool the pipes are at the outer edge of the tub.

### LEGEND

- A - 1/2" cold water fitting.
- B - 1/2" hot water fitting.

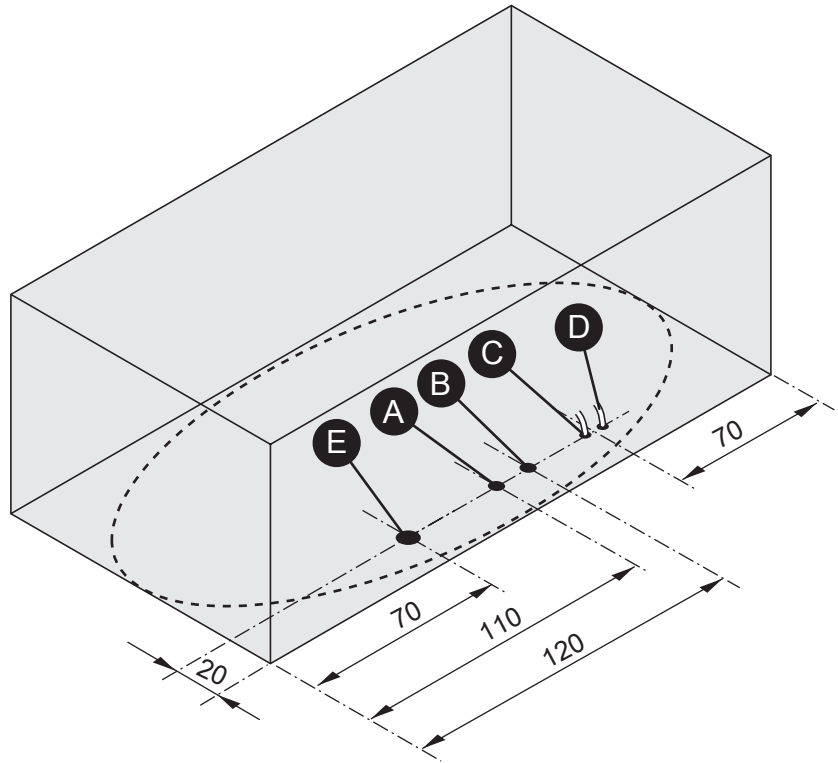
	Operating pressure:
	- MIN 150 kPa (1,5 bar)
	- MAX 300 kPa (3,0 bar)
	Hot water temperature:
	- MAX 60°C (140°F)

- C - Output for the power supply cable type H05 3x2.5mm<sup>2</sup> (length min. 2 [m])
- D - Output for the equipotential cable
- E - Scarico pavimento Ø 40.

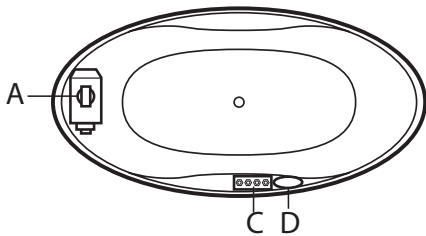
**NOTE:**  
For baths with frame do not prepare the power cable.

Prepare the equipotential cable in all cases.

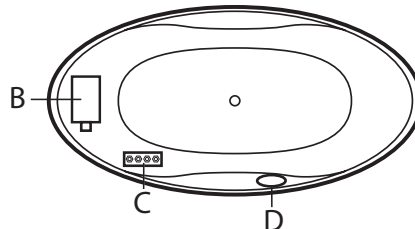
For the tap as per our catalogue, use fittings A and B only.  
If the water pressure is higher than indicated, install pressure reducers.



### POSITIONING THE TURNING ON CONTROLS AND TAPS



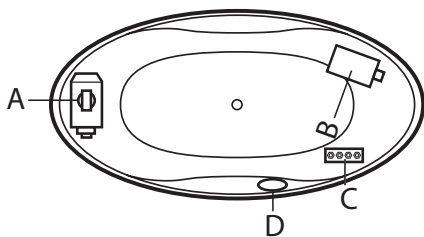
Whirl. manuale o whirl. digitale



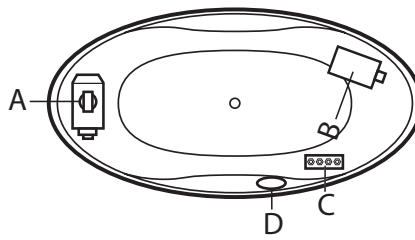
Airpool

- A= Pump
- B= Blower
- C= Elettrical control
- D= Digital control

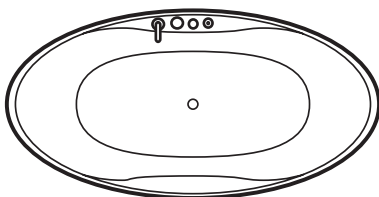
The position of the particular A-B-C are different in the tanks with accessories (radio - chromotherapy - heater).



Whirlpool airpool



Professional whirlpool airpool



Rubinetteria

- The position of the cap disinfection (in digital systems whirlpool, whirlpool airpool and professional whirlpool airpool) is set from the factory at the time of construction of the tank.